



**Modular Cooking Range Line**  
**thermaline 90 - 700 mm Open base,**  
**GN conform, 1 Side (H2) - H=550**

ITEM # \_\_\_\_\_

MODEL # \_\_\_\_\_

NAME # \_\_\_\_\_

SIS # \_\_\_\_\_

AIA # \_\_\_\_\_



**589497 (MC1BDAG000)**      Open Base, one-side  
operated, GN - H2

### Short Form Specification

**Item No.** \_\_\_\_\_

700 mm wide open base compartment to store pots, pans, sheet pans, etc. with hygienic design and round edges. Unit constructed according to DIN 18860\_2 with 70 mm recessed plinth. Internal frame for heavy duty sturdiness in stainless steel. Flat surface construction, easily cleanable. Open storage space in the base accepts GN 1/1 containers. IPX5 water resistant certification. Configuration: One-side operated freestanding base, hygienic class H2.

### Main Features

- IPX5 water resistance certification.
- All major components may be easily accessed from the front.
- THERMODUL connection system creates a seamless work top when units are connected to each other thus avoiding soil penetrating vital components and facilitating the removal of units in case of replacement or service.
- Unit constructed according to DIN 18860\_2 with 70 mm recessed plinth.

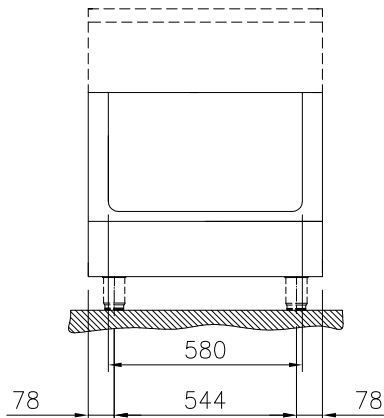
### Construction

- Hygienic design of the open base compartment with large round edges.
- 2 mm top in 1.4301 (AISI 304).
- Flat surface construction with minimal hidden areas to easily clean all surfaces
- Storage space in the base of the appliance that can accept GN1/1 containers.
- Internal frame for heavy duty sturdiness in stainless steel.

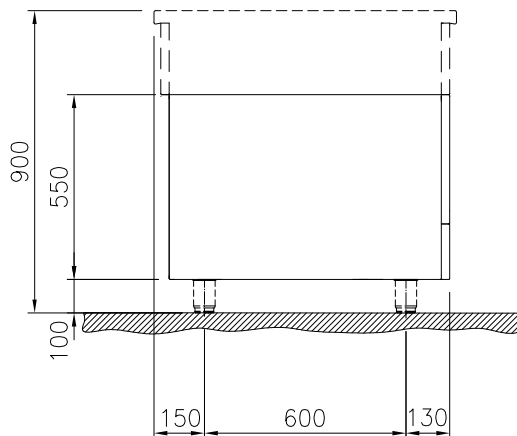
**APPROVAL:** \_\_\_\_\_



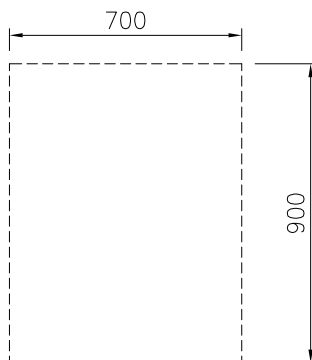
Front



Side



Top


**Key Information:**

External dimensions, Width:	
589497 (MC1BDAG000)	700 mm
External dimensions, Depth:	900 mm
External dimensions, Height:	550 mm
Cupboard Cavity Dimensions (width):	580 mm
Cupboard Cavity Dimensions (height):	330 mm
Cupboard Cavity Dimensions (depth):	740 mm
Net weight:	23 kg

### Optional Accessories

- Stainless steel side panel, 900x800mm, freestanding PNC 912511
  - Stainless steel front kicking strip, 700mm width PNC 912597
  - Stainless steel side kicking strips left and right, freestanding, 900mm width PNC 912621
  - Stainless steel side kicking strips left and right, against the wall, 900mm width PNC 912624
  - Stainless steel side kicking strips left and right, back-to-back, 1810mm width PNC 912627
  - Stainless steel plinth, against wall, 700mm width PNC 912900
  - Stainless steel plinth, freestanding, 700mm width PNC 912919
  - Stainless steel panel, 900x800mm, against wall, left side PNC 913102
  - Stainless steel panel, 900x800mm, against wall, right side PNC 913106
  - Back panel, 700x450mm, for bases one-side operated PNC 913181
  - Stainless steel side panel, left, H=800, flush PNC 913224
  - Stainless steel side panel, left, H=800, flush PNC 913225
  - Perforated shelf for warming cabinets and cupboard bases (one-side operated TL80-85-90 and two-side operated for TL80) PNC 913234
  - Side reinforced panel only in combination with side shelf, for freestanding units PNC 913259
  - Side reinforced panel only in combination with side shelf, for against the wall installations, left PNC 913268
  - Side reinforced panel only in combination with side shelf, for against the wall installations, right PNC 913270
  - Side reinforced panel only in combination with side shelf, for back-to-back installations, left PNC 913277
  - Side reinforced panel only in combination with side shelf, for back-to-back installation, right PNC 913278
  - Shelf fixation for TL80-85-90 one-side operated, TL80 two-side operated PNC 913281
  - Stainless steel dividing panel, 900x800mm, (it should only be used between Electrolux Professional thermaline Modular 90 and thermaline C90) PNC 913673
- Stainless steel side panel, 900x800mm, flush-fitting (it should only be used against the wall, against a niche and in between Electrolux Professional thermaline and ProThermetic appliances and external appliances - provided that these have at least the same dimensions) PNC 913689